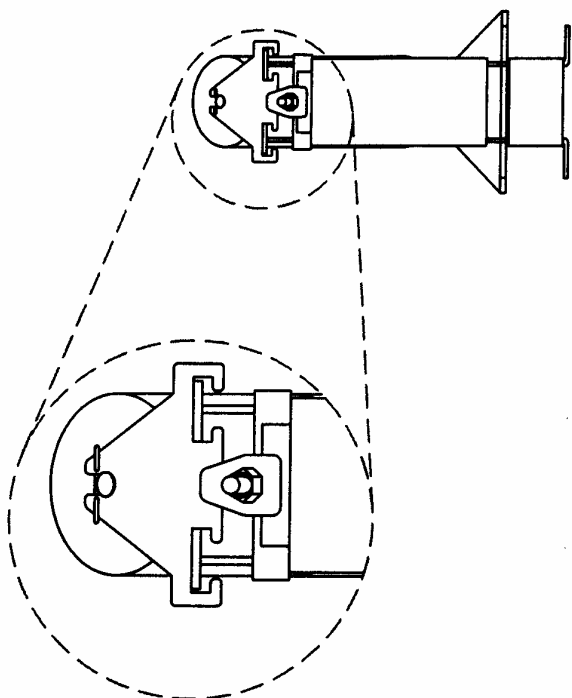
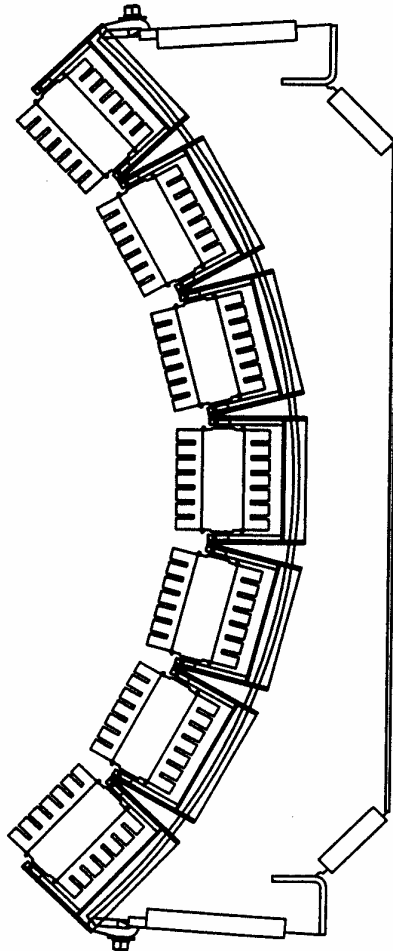


## **Cushion Arc™ Contour Impact Idler *Specifications***

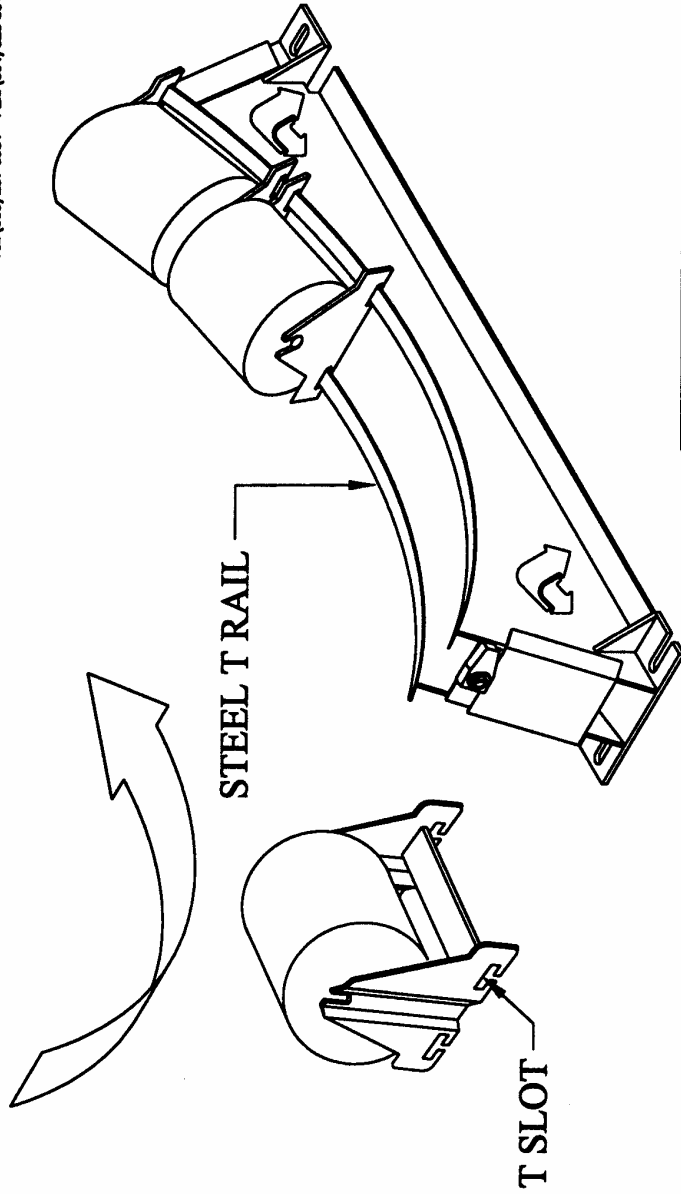
- Sealed ball bearing
- Solid steel through shaft
- Three-chamber axial labyrinth primary seal
- Extra heavy duty steel outer shell
- 6" diameter rolls
- High quality rubber impact rollers
- Exceeds CEMA E standards



**RICHWOOD**  
 P.O. Box 1298 Huntington, WV 25714 USA  
 1-800-237-6951 Tel: 304-525-5436  
 Fax: 304-525-8018  
 E-mail: Richwood@aol.com

TITLE <b>CUSHION ARC CONTOUR IMPACT IDLER GENERAL LAYOUT</b>	
UNLESS OTHERWISE SPECIFIED TOLERANCE FRACTIONS $\pm 1/32$ DECIMALS $\pm .005$ ANGLES $\pm 1/2^\circ$	DATE <b>10/18/99</b>
DRAWN BY <b>SMITH</b>	SCALE <b>NTS</b>
MATERIAL	DRAWING NO. <b>SK-A1202 R0</b>

**RICHWOOD**  
 P.O. BOX 1298 HUNTINGTON, WV 25714  
 Tel: (800) 237-6951 Fax: (304) 525-8018



P.O. Box 1298 Huntington, WV 25714 USA  
 1-800-237-6951 Tel: 304-525-5436  
 Fax: 304-525-8018  
 E-mail: Richwood@aol.com

TITLE		GENERAL CONFIGURATION IDLER ROLLS	
DESIGNED BY	DATE	SCALE	DATE
SMITH	NTS	6/19/00	
MATERIAL		DRAWING NO.	
		SKA1136-0	
UNLESS OTHERWISE SPECIFIED TOLERANCE			
FRACTIONS ± 1/32			
DECIMALS ± .005			
ANGLES ± 1/2°			